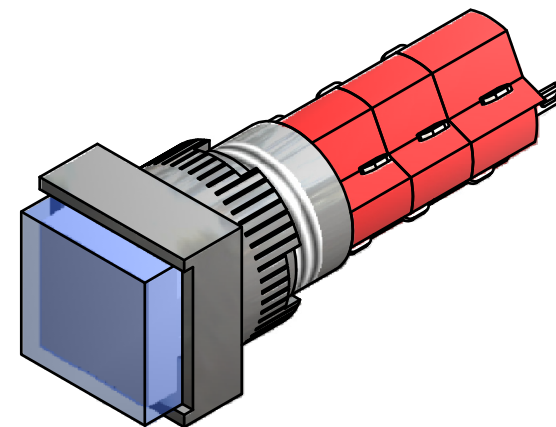
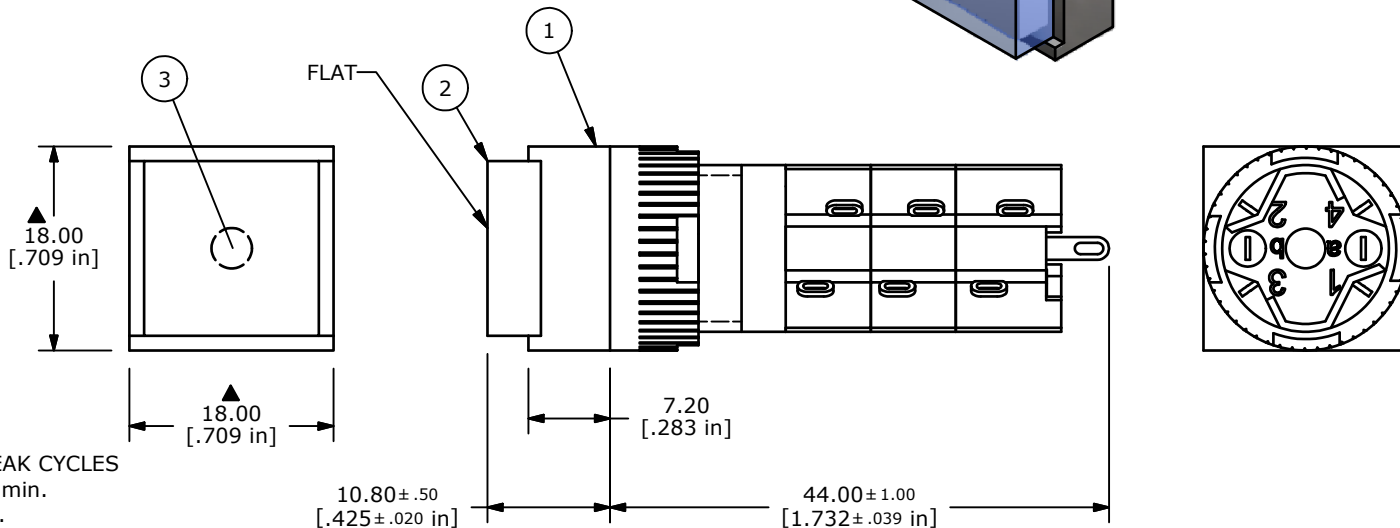


PARTS LIST				
ITEM	QTY	PART NUMBER	DESCRIPTION	
1	1	F040032	D16OAS13	
2	1	F050311	50-003-11 LENS, SQUARE, FLAT, TRANSPARENT, BLUE	
3	1	F050405	50-004-05, INC, 28V AC/DC 40mA	



- NOTE:
1. ALL DIMENSIONS IN MM [INCH].
 2. GENERAL TOLERANCE: X.X=±0.4
X.XX=±0.25
 3. TERMINAL NUMBERS FOR REF ONLY.
 4. RATING: 5A @ 250VAC UL, VDE
8A @ 125VAC UL, VDE
6A @ 24VDC
0.2A @ 250VDC
 5. ELECTRICAL LIFE: 50,000 MAKE-AND-BREAK CYCLES
AT FULL LOAD min.
 6. INSULATION RESISTANCE: 1,000 MΩ min.
 7. OPERATING TEMP.: -25°C to +55°C
 - ▲ 8. LAMP VOLTAGE: 28V AC / DC 40mA
 9. PANEL THICKNESS = 0.5 mm TO 5.0 mm
 10. CONTACT RESISTANCE: 20mΩ (INITIAL)
 11. PACKAGE: BOX / 20 PIECES PER BOX
 12. DEGREE OF PROTECTION: IP40
 13. TRAVEL: 3.00 mm FULL TRAVEL
 14. ▲ DENOTES CRITICAL PARAMETER
 15. 2002/95/EC (ROHS) COMPLIANT.



TITLE D16OAS13CBLU

A	20404	RELEASED FOR PRODUCTION	1/17/12	BGL
REV	PCR NO	DESCRIPTION	DATE	BY

SCALE	DATE	DR	DWG	REV
1.5:1	1/17/2012	BGL	XF0852P	A

THE INFORMATION CONTAINED IN THIS DOCUMENT IS PROPRIETARY TO E-SWITCH AND IS NOT TO BE COPIED OR TRANSFERRED